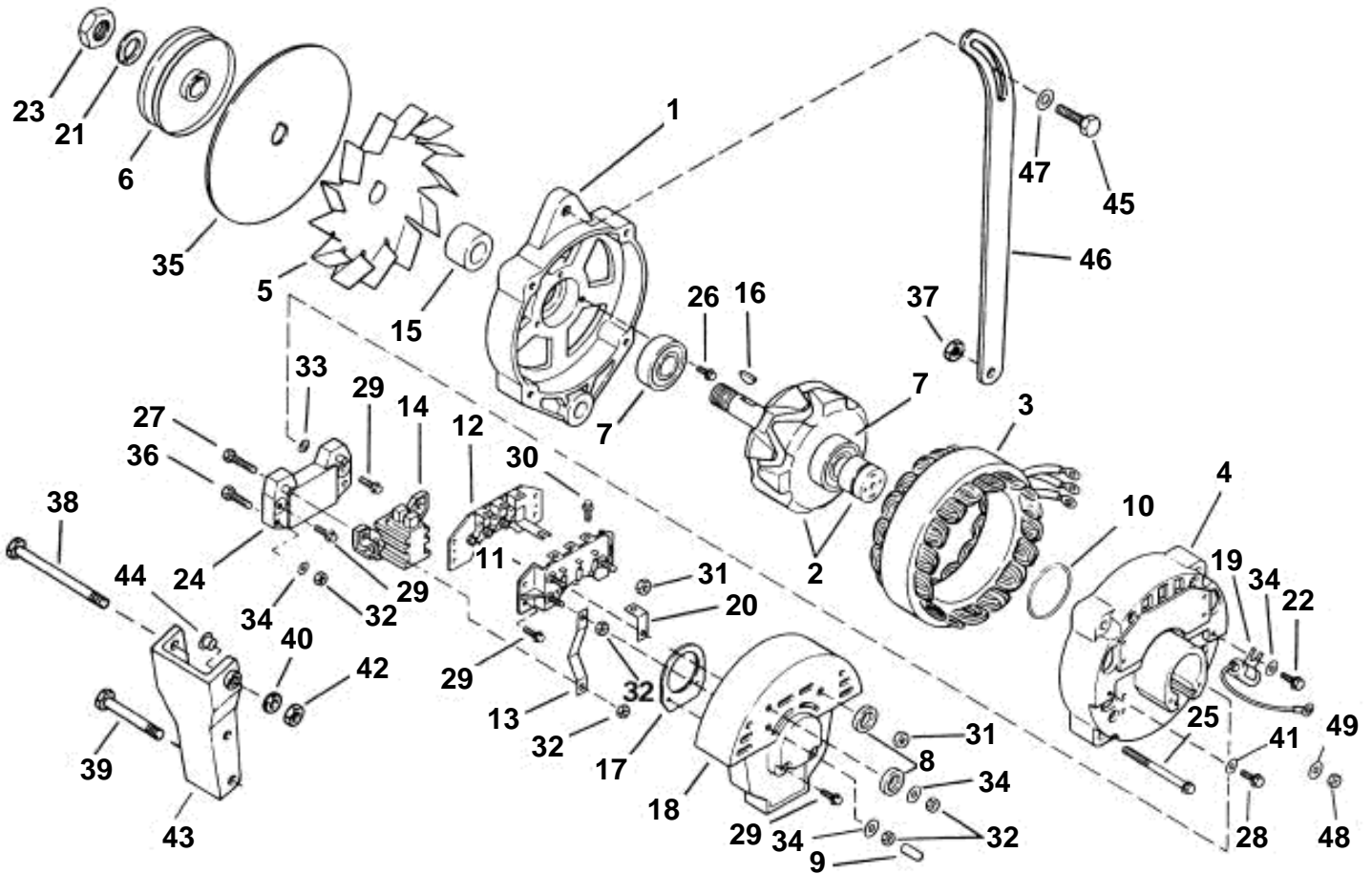


4.3GLMMDA



4.3GLMMDA

REF	PART NO.	QTY	DESCRIPTION
1	3853853	1	Alternator
		1	· Housing, Front
2		1	· Rotor
3		1	· Stator
4		1	· Housing, Rear
5	3852645	1	· Fan
6	3852644	1	· Pulley
7	3852643	2	· Bearing, Front & rear
8		2	· Isolator, Red
9	3852623	1	· Isolator, Boot
10	3852642	1	· Bearing carrier, Rear bearing
11		1	· Diode
12		1	· Diode bridge
13		1	· Plate, B+
14	3853835	1	· Brush retainer
15	3852639	1	· Spacer, Fan
16		1	· Woodruff key, Woodruff
17	3852637	1	· Gasket
18	3853834	1	· Cover
19	3852636	1	· Capacitor
20		1	· Plate, AC tap
21	3852625	1	· Lock washer, Pulley
22	3852736	1	· Screw, Capacitor
23	3852630	1	· Nut, Pulley
24	3853833	1	· Regulator, Voltage
25		4	· Screw, Through
26	3852734	4	· Screw, Front housing
27	3852629	2	· Screw, Regulator
28	3852736	1	· Screw, Alternator ground
29	3852735	8	· Screw, Diode field
30	3852628	3	· Screw, Diode field
31	3852633	2	· Nut
32	3852632	9	· Lock nut
33	3852732	2	· Washer, Insulator
34	3852626	5	· Washer
35	3853881	1	· Cover plate
36	3852737	1	· Screw, Terminal
37	3853403	1	Nut, Alternator brace to pump
38	3853367	1	Screw, Alternator to bracket
39	3853547	2	Screw, Bracket
40	3852058	1	Washer, Screw alternator
41	3852069	1	Washer, Ground
42	3852051	1	Nut, Alternator to bracket
43	3853884	1	Bracket
44	3852740	1	· Bushing, Alternator
45	3853396	1	Screw, Brace to alternator
46	3850460	1	Brace
47	3852054	1	Washer, Brace to alternator
48	3852185	1	Nut, Alternator excite wire
49	3852001		Lock washer, Alternator excite wire